

FOUNDATION

STEEL FOUNDATION

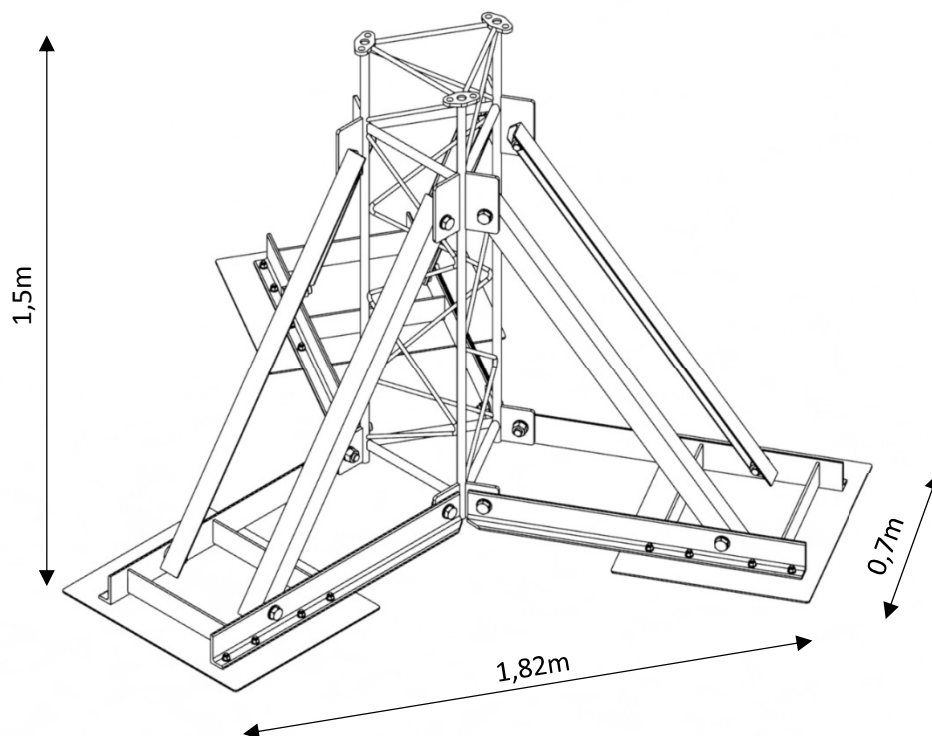
DATA SHEET

Product nr.
Ref. nr.
Latest rev.

SF302-00
01.60.12.10
15.10.2018



SF302-00



Application:

The foundation can be applied to the given sections: 202T-00, 202-00, 302T-00 and 302-00 for the following lattice towers:

- 7,5m gittermast, serie 2
- 9,0m gittermast, serie 0
- 15,0m gittermast, serie 1
- 18,0m gittermast, serie 0

Specification:

The foundation is composed by hot dip galvanized tapered lattice sections of the type SEK202/302. Also, it consists of a triangular lattice section, having 3 metal plates used in the supports and 6 L – shaped bars.

Easy for digging out and can be used for general soil conditions.

Soil:

By dimensioning it is assumed that the soil on the foundation should be:

Friction sand with $\geq 30^\circ$, or

Learning with $C_v > 80 \text{ kN/m}^2$

Highest groundwater level should be lower than the bottom of the foundation.

Installation:

The foundation is placed on a flat sand layer at the base of a 1.75m excavation with a diameter of 2.8m. Then refill the pit with the excavated soil, assuming an effective bulk density of at least 1800 kg/m^3 . Stamping is necessary.

FOUNDATION
STEEL FOUNDATION
DATA SHEET

Product nr.
Ref. nr.
Latest rev.

SF302-00
01.60.12.10
15.10.2018



SF302-00

Ensure that the tower base plates are absolutely horizontal.