

**Installation:**

1st nut should be spanned with 40 - 45Nm.

2nd nut should shall be brought at least to a snug-tight condition, with special care being given to avoid over-tightening.

Nut-marking should be made acc. to figure after torque.

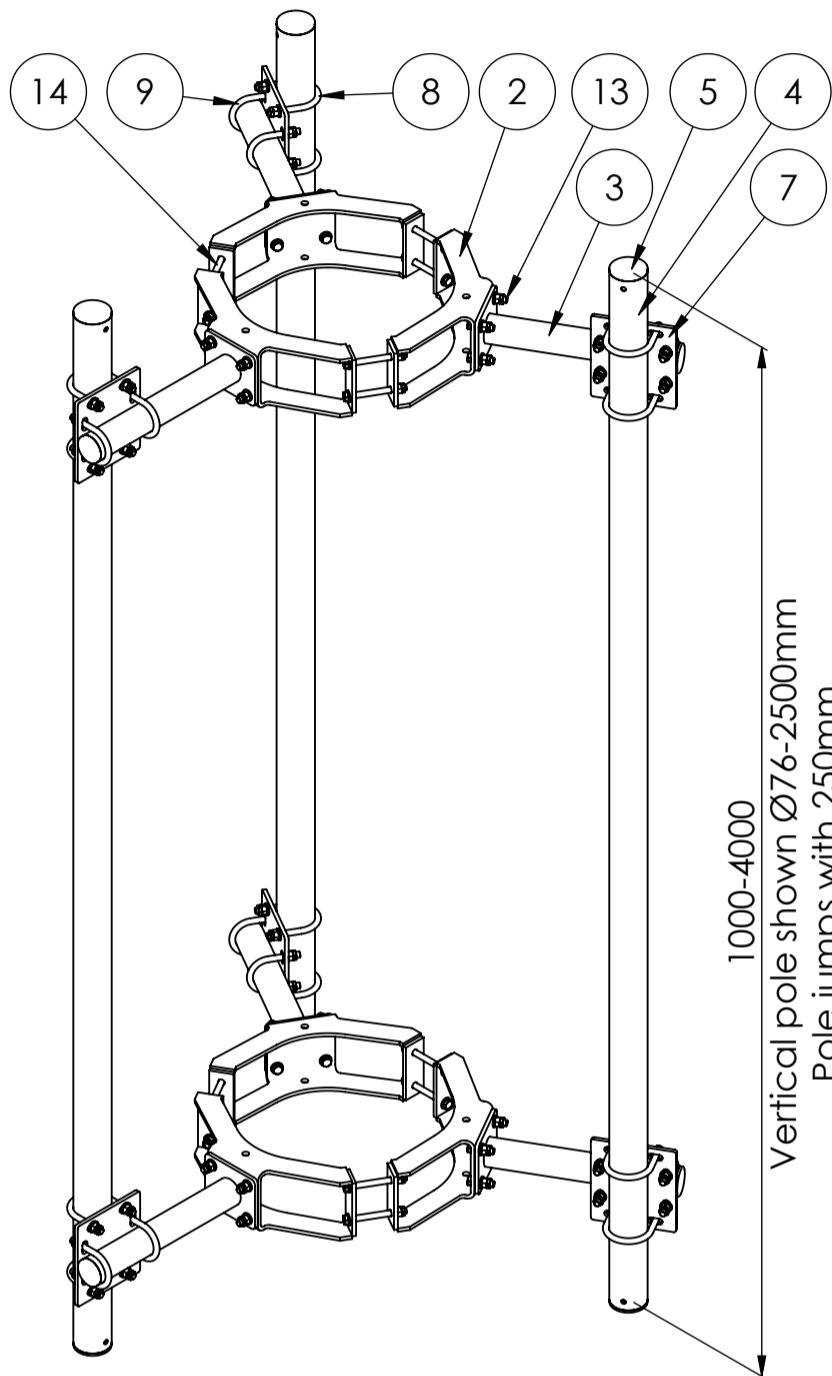
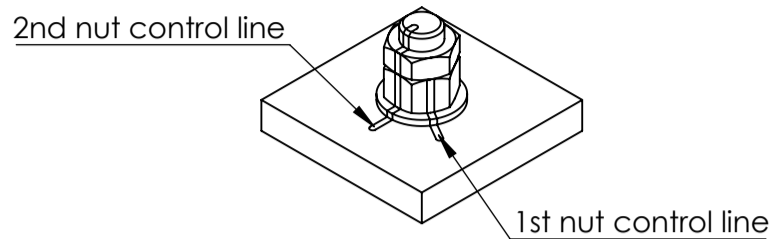
**Maintenance:**

Visual inspection of bolt torque and any loose items is made 1 year after installation, and afterwards every 5th year.

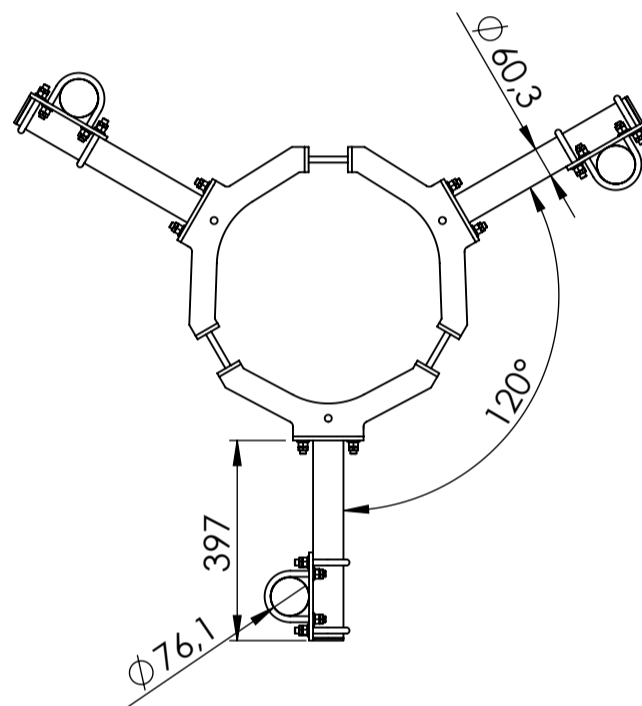
Check if the marking from bolt torque is still straight.

Check if the corrosion protection system is satisfactory.

Any findings must be repaired as soon as possible.



1000-4000  
Vertical pole shown Ø76-2500mm  
Pole jumps with 250mm



Basic wind  $V_{b,0} = 27 \text{ m/s}$   
Terrain class  $TC = 1$   
Max height of installation = 70m

Max loads per 1 mount pole from equipment: 150kg,  $C_xA=1.6m^2$

ITEM NO.	PART NUMBER	DESCRIPTION	QTY.
2	VB-Ø385-445	Horizontal bracket version V Ø385-445	6
3	CVBM_H400	Horizontal pole for C and V bracket	6
4	Pole Ø76-2500	Vertical pole Ø76,1 - length: 2500	3
5	GL 76x1.6-4	tubular legs for Ø76,1	6
6	GL 60x3-5	tubular legs for Ø60,3	6
7	MB-Ø60-76 300	Bracket vertical pole Ø60,3-76.1	6
8	U-bolt M12 C-C = 90		12
9	U-bolt M12 C-C = 75		12
10	Washer ISO 7089 - 12		120
11	ISO - 4032 - M12 - W - N		84
12	ISO - 4035 - M12 - N		84
13	ISO 4017 - M12 x 45-N		24
14	ISO 4017 - M12 x 120-N		12

Rev.:	Int.:	Date:	Comment
Customer.:			
Subjekt.: Antenna offset f. Ø385-445 with multi adjustable brackets			
Date.:	23-06-2020	Production no.:	Scale.: 1:15
Order no.:		Calculation:	Int.: SP/MRF
Drawing. No.:	VBM-Ø385-445 H400	Note.:	Format:A3
This drawing is our property and must not be copied, transferred or in any way used by a third party without our written permission			Projection:
			Tolerance: DS/EN 1090-2 DS/ISO 2768-2-L