

Installation:

1st nut should be spanned with 40 - 45Nm.

2nd nut should be brought at least to a snug-tight condition, with special care being given to avoid over-tightening.

Nut-marking should be made acc. to figure after torque.

M16 nut:

1st nut should be spanned with 80 - 85Nm.

2nd nut should be brought at least to a snug-tight condition, with special care being given to avoid over-tightening.

Nut-marking should be made acc. to figure after torque.

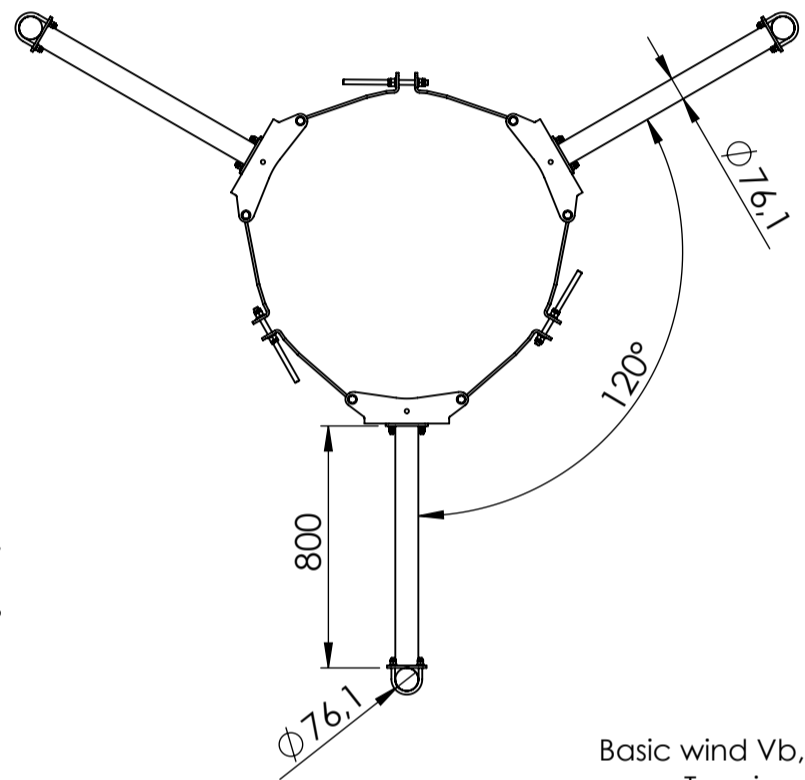
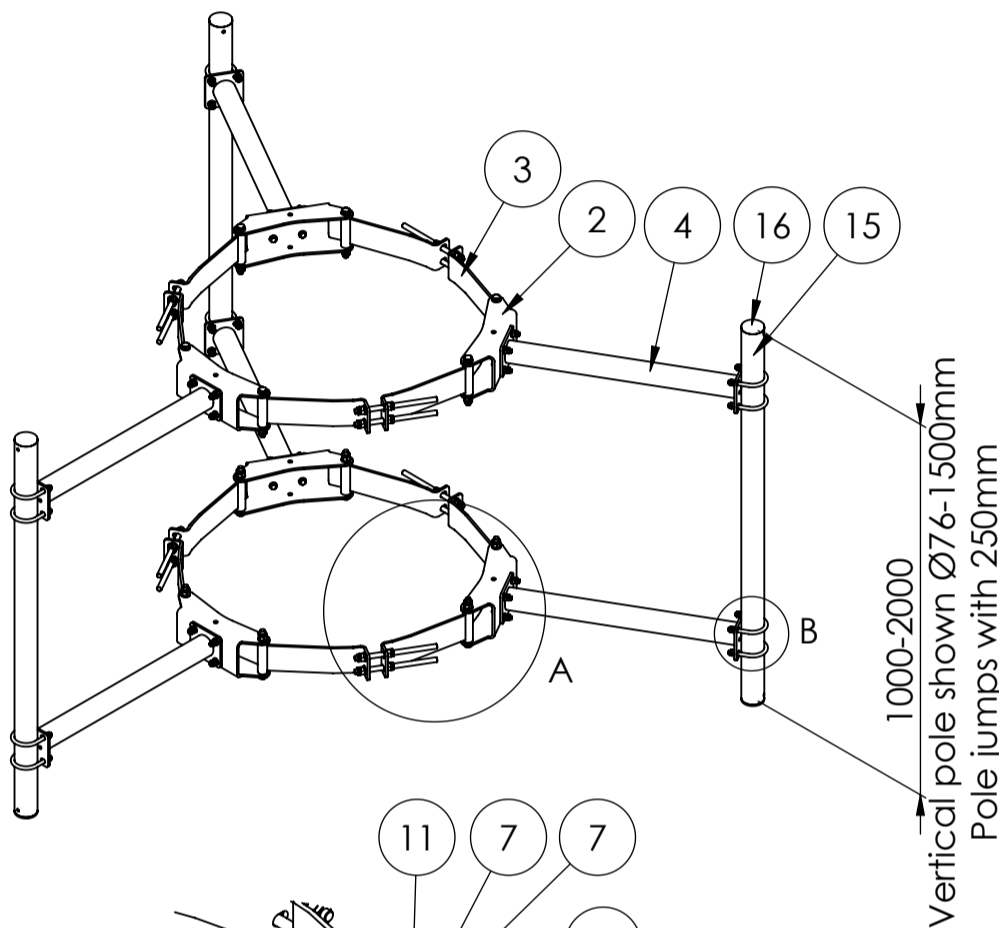
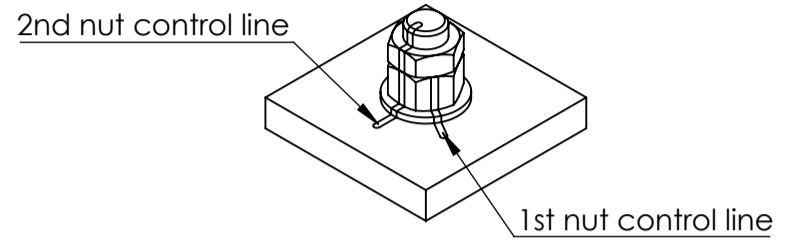
Maintenance:

Visual inspection of bolt torque and any loose items is made 1 year after installation, and afterwards every 5th year.

Check if the marking from bolt torque is still straight.

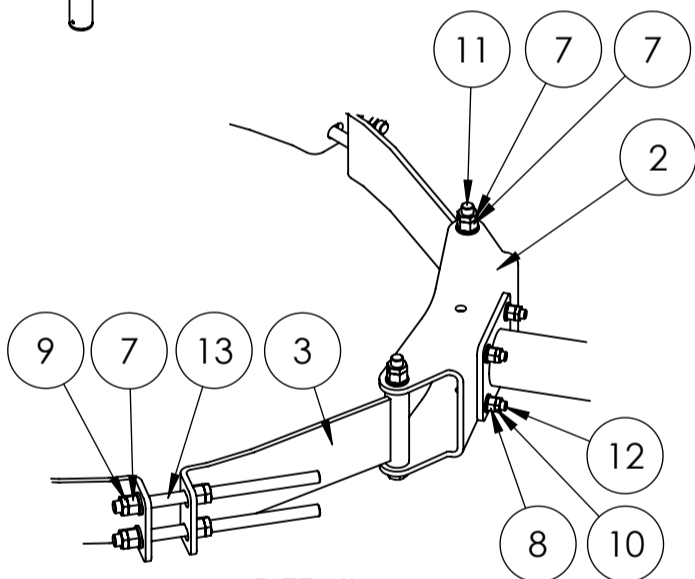
Check if the corrosion protection system is satisfactory.

Any findings must be repaired as soon as possible.

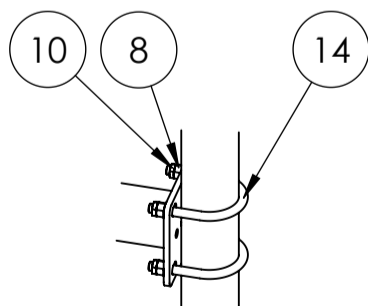


Basic wind $V_{b,0} = 27 \text{ m/s}$
 Terrain class $TC = 1$
 Max height of installation = 70m

Max loads per 1 mount pole from equipment: 100kg, $C_{xA} = 1.0 \text{ m}^2$



DETAIL A
SCALE 1 : 10



DETAIL B
SCALE 1 : 10

| ITEM NO. | PART NUMBER | DESCRIPTION | QTY. |
|----------|--------------------------|---|------|
| 2 | VB-Ø1000-3000 300 | Horizontal pole bracket Ø1000-3000 | 6 |
| 3 | VBA-Ø1010-1120 | Horizontal bracket for Ø1010-1120 | 12 |
| 4 | CVB_H800 | Horizontal pole for C and V bracket - Vertical Ø60,3-76,1 | 6 |
| 5 | Washer ISO 7089 - 16 | | 48 |
| 6 | Washer ISO 7089 - 12 | | 72 |
| 7 | ISO - 4032 - M16 - W - N | | 36 |
| 8 | ISO - 4032 - M12 - W - N | | 48 |
| 9 | ISO - 4035 - M16 - N | | 36 |
| 10 | ISO - 4035 - M12 - N | | 48 |
| 11 | ISO 4014 - M16 x 180 | | 12 |
| 12 | ISO 4017 - M12 x 45-N | | 24 |
| 13 | M16x280 DIN976 | Horizontal pole bracket pin-bolts | 12 |
| 14 | U-bolt M12 C-C = 90 | | 12 |
| 15 | Pole Ø76-1500 | Vertical pole Ø76,1 - length: 1500 | 3 |
| 16 | GL 76x1.6-4 | tubular legs for Ø76,1 | 6 |

| Rev.: | Int.: | Date: | Comment |
|---|-------|-------|---------|
| | | | |
| Customer.: Subjekt.: Antenna offset f. Ø1010-1120 with fixed pole Date.: 15-07-2020 Production no.: Scale.: 1:25 Order no.: Calculation: Int.: SP/MRF Drawing. No.: VB-Ø1010-1120 H800 Note.: Format:A3 Projection: Tolerance: DS/EN 1090-2 DS/ISO 2768-2-L | | | |